

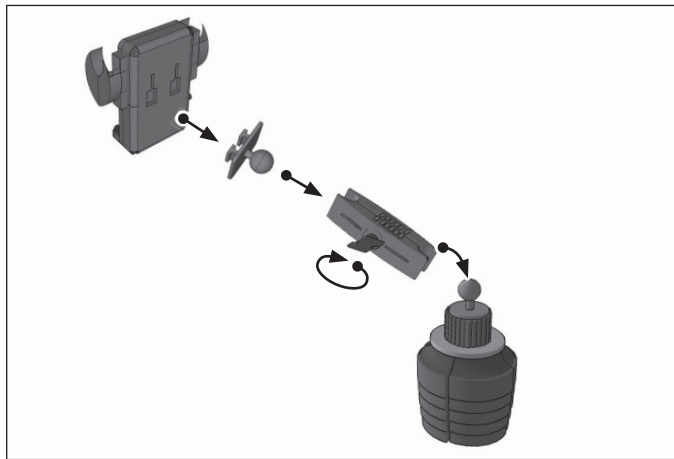


Package Contents:

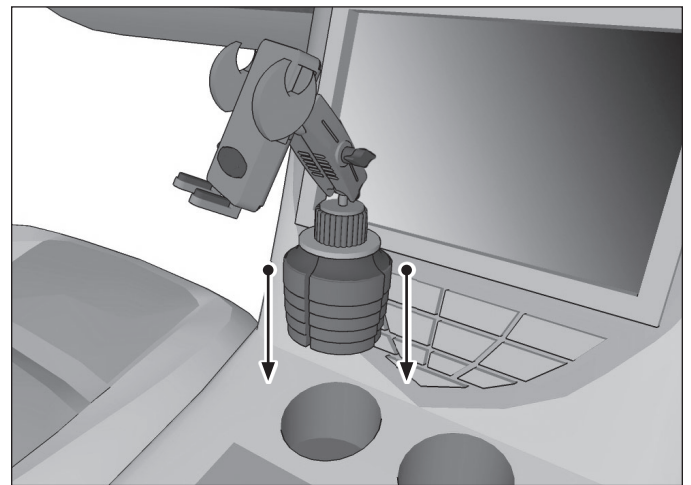
- (1) SM040-2 – Mega Grip Universal Phone Holder
- (1) SPRM023 – Robust Cup Holder Pedestal
- (1) SP-RM250 – Robust Mount Shaft
- (1) APRM2T – 25mm Ball to Dual T-Tab Adapter

COMPATIBILITY: Fits phones with cases up to 3.5" wide

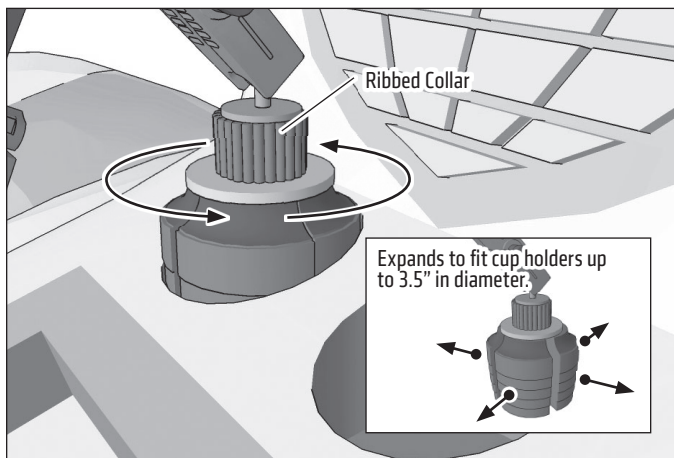
- 1 Attach Robust shaft to cup holder pedestal. Attach APRM2T to Robust shaft and turn knob to tighten. Attach SM040-2 to APRM2T.



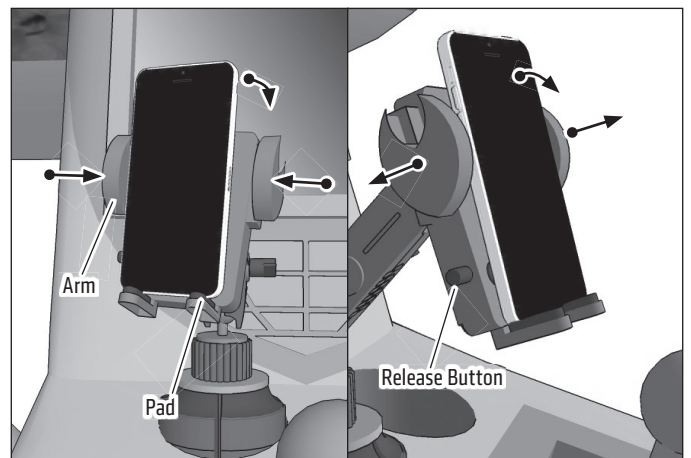
- 2 Insert mount into car cup holder.



- 3 Twist ribbed collar counterclockwise to expand base to fit cup holder. Expands to fit cup holders up to 3.5 inches in diameter.



- 4 Place the device on the two pads. Press the two arms inward to secure the device. To release the device push the release button on the bottom.



! Safety Precautions

Do not install Arkon products over an air bag cover or within the air bag deployment zone. Arkon Resources, Inc. assumes no responsibility for liability for injury or death as a result of car crashes and/or air bag deployment. Arkon is not responsible for any damages caused to your vehicle, your device, or yourself due to the installation or use of this mount.

ARKON MOUNTS

Consumer Hotline:

USA (800) 841-0884

INT'L (626) 254-9005

Monday - Friday 9am - 5pm, PST

www.arkon.com

Arcadia, CA 91006 USA

Designed in USA | Made in Taiwan

© Copyright 2019 Arkon Resources, Inc.